



Features

MULTIPLE CAPACITORS IN ONE PACKAGE.
 (THE FLEXIBILITY OF CIRCUIT DESIGN IS IMPROVED BY CHANGING FOUR CONVENTIONAL ELEMENTS TO TWO ELEMENTS.)
 CAP RANGE AND CASE SIZE ARE CONSIDERED BY FOCUSING ON CEL-PHONE MARKET.
 THE CAP ARRAY WILL REDUCE SPACE ON THE PC BOARD AND MOUNTING COST.
 AVAILABLE IN BULK, TAPE AND BULK CASE PACKAGING.

UNIQUE ELECTRODE CONSTRUCTION REDUCES CROSS TALK.

	CKCM25 SERIES	CKCL22 SERIES
CAPACITY	EQUALS TO 2 PIECES OF 0402	EQUALS TO 2 PECES OF 0603
MOUNTING COST	REDUCE THE MOUNTING TIME TO 1/2	

Applications

SUITABLE WHEN MANY PERCES OF A P/N IS USED.

**EX 1 . CEL-PHONE / INTERFACE
HIGH FREQUENCY
NOISE BYPASS CIRCUIT**

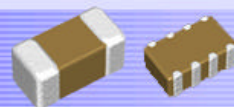
CKCM25 SERIES

EX 3. CPU BUS LINE

CKCL22X7R1H103M
CKCL22X7R1C104M

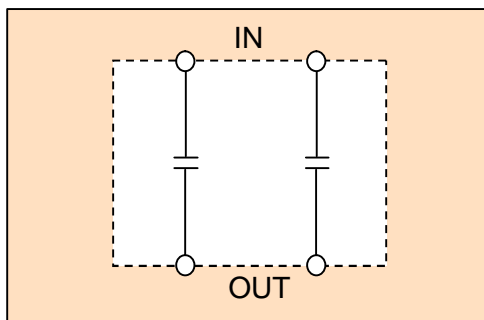
**EX 2. AROUND INTERFACE CABLE
IN PC AND PERIPHERALS**

Serial port CKCL22C0G1H471K
Video port CKCM25C0G1H220K
 CKCL22C0G1H220K
 CKCM25C0G1H470K
 CKCL22C0G1H470K
Parallel port CKCL22C0G1H221K

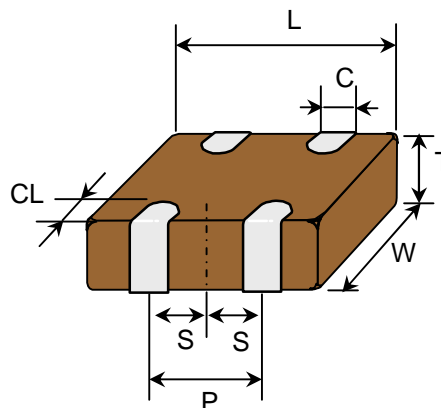


Connection

[2ELEMENTS] (NO GND)



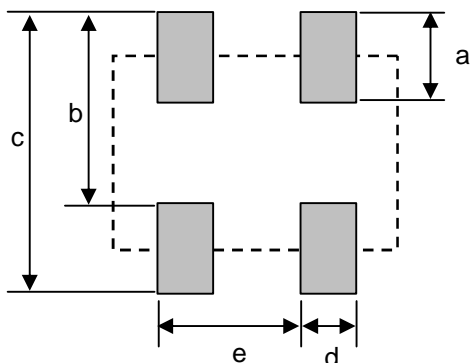
Dimensions



(Unit: mm)

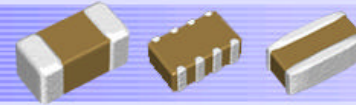
	CKCM25	CKCL22
L	1.37 ± 0.15	2.0 ± 0.15
W	1.0 ± 0.15	1.25 ± 0.15
T	0.66 max.	1.0 max.
C	0.36 ± 0.1	0.45 ± 0.1
CL	0.20 ± 0.1	0.20 +0.2, -0.1
P	0.64 ± 0.1	1.0 ± 0.1
S	0.32 ± 0.1	0.32 ± 0.1

Recommended land pattern



(Unit: mm)

	CKCM25	CKCL22
a	0.45	0.60
b	0.75	1.00
c	1.20	1.60
d	0.30	0.50
e	0.64	1.00



Cap range

CKCM25 SERIES

Dec.2004

Temp.chara	C0G
WV	1H
Cap.(pF)	50V
10	
15	
22	
33	
47	
68	
100	

Temp.chara	X7R		X5R		
WV	1H	1E	1C	1A	0J
Cap.(pF)	50V	25V	16V	10V	6.3V
1,000					
2,200					
4,700					
10,000					
22,000					
47,000					
100,000					
220,000					
470,000					
1,000,000					

Thickness: 0.66MAX

Thickness: 0.90MAX

CKCL22 SERIES

Temp.chara	C0G
WV	1H
Cap.(pF)	50V
10	
15	
22	
33	
47	
68	
100	
150	
220	
470	

Temp.chara	X7R		X5R		
WV	1H	1E	1C	1A	0J
Cap.(pF)	50V	25V	16V	10V	6.3V
1,000					
2,200					
4,700					
10,000					
22,000					
47,000					
100,000					
220,000					
470,000					
1,000,000					

Thickness: 1.0MAX

Please contact us for the other cap value availability